

## ISOTHERMAL BAG'S RACK

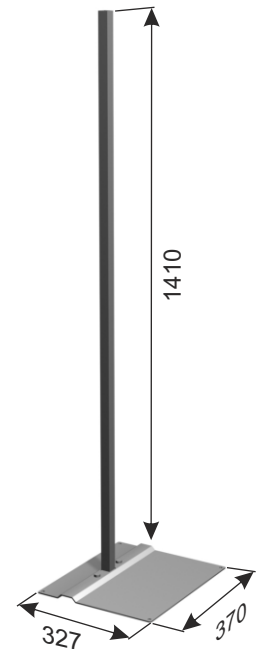


The freestanding rack allows for presentation and sell isothermal bags. It is used mostly next to the cooling devices.

**Standard finish:** zinc plated + lacquer.

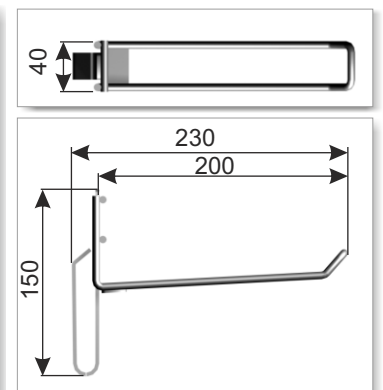
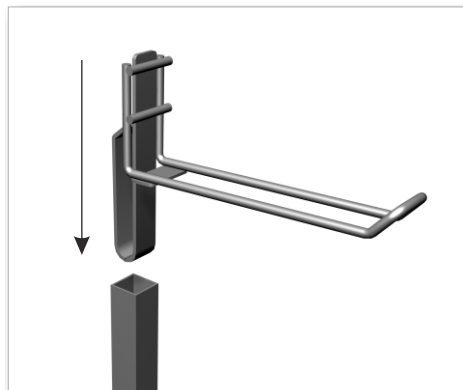
**Technical data:** Rack composed of elements: base made of bended plate and leg made of section with welded flat, which is used to assembly rack to the base. Grip for isothermal bags, made of wire and flat, can be assembly to the rack . Assembly to the ground with chemical anchor.

**Maximum loading:** 5 kg.



### ADDITIONAL ACCESORIES:

Grip to the rack for isothermal bags



PRODUCT NAME	FINISH	INDEX
Isothermal bag's rack	zinc plated + lacquer	919-350-698
ADDITIONAL EQUIPMENT	FINISH	INDEX
Grip to the rack for isothermal bags	zinc plated + lacquer	919-350-699

### E3 SPECIAL RETAIL EQUIPMENT