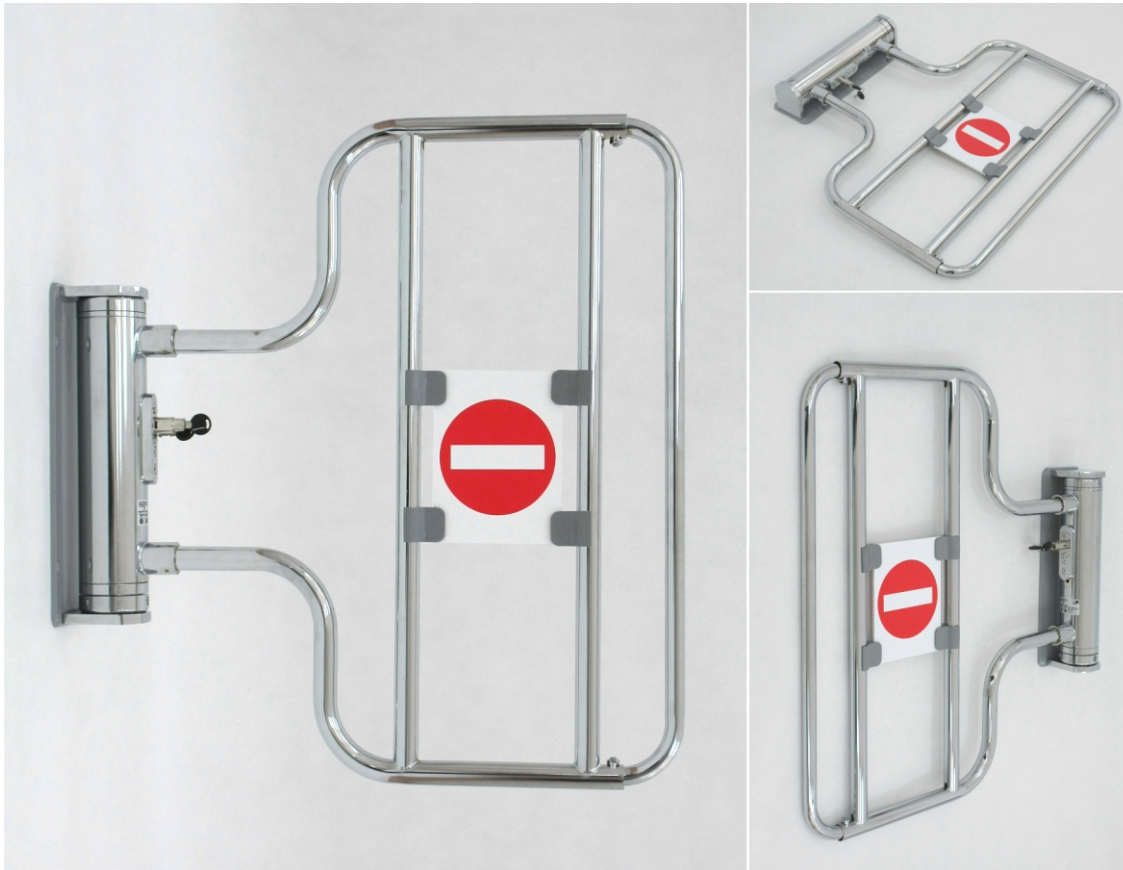


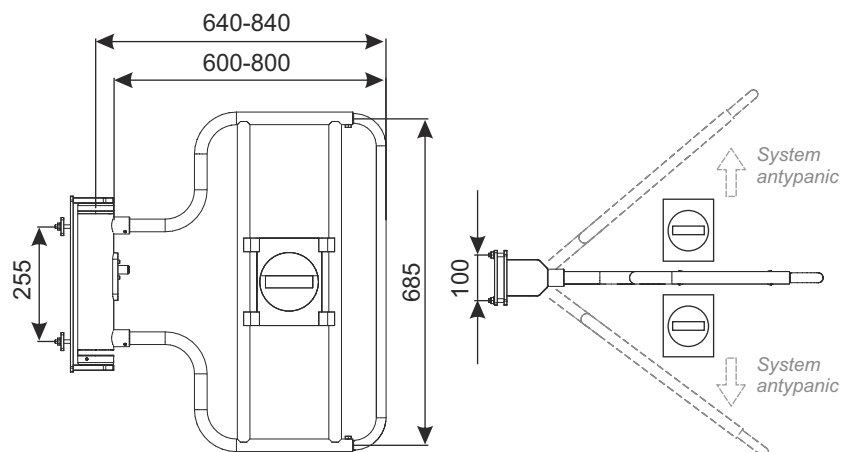
MOUNTED CHECKOUT BARRIER WITH COIN LOCK AND HIGH BAR



The gate is used in checkouts area. Bidirectional gate - opens in right side and left side. To open or close the gate turn the key in lock, lift the lock and turn the swivel arm in requested direction.

Installed "anty-panic" system prevents from opening a gate in opposite direction. This system allows you to open an emergency gate at the appropriate pressure despite the blockade. There is possibility of adjusting arm length to 600mm to 800 mm.

Gateway fixed to the checkout box.



PRODUCT NAME	FINISH	INDEX
Mounted checkout barrier with coin lock and high bar		
- Checkout barrier with coin lock	chrome	919-320-599
- Bar of the entrance H- 685	chrome	919-320-559

S CUSTOMER GUIDANCE SYSTEMS