

TIGHT PARTITION WITH THE FULL BOTTOM



Tight partition with the full bottom is designed to organize the shops open space.

Realization

Elements:

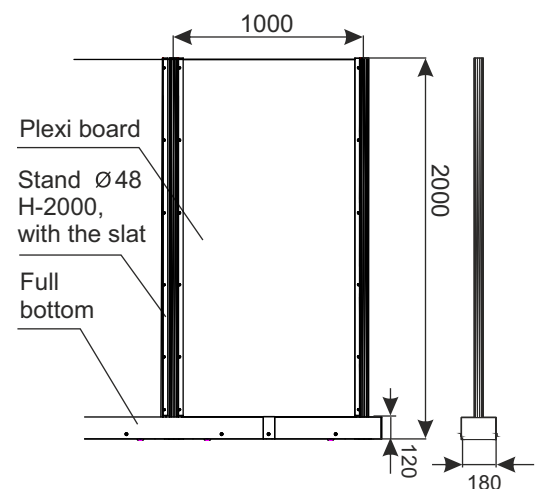
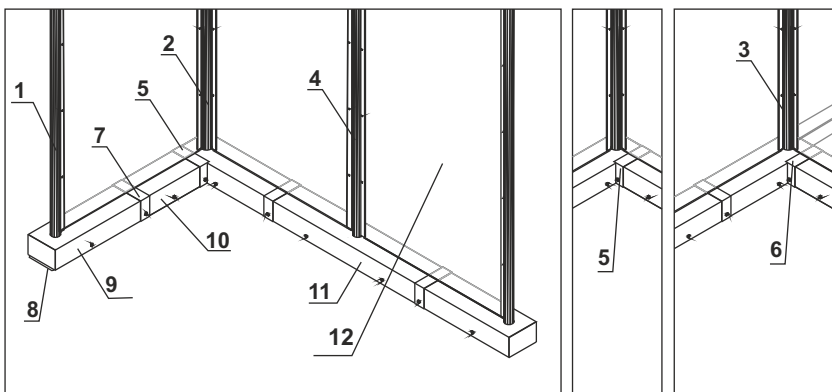
- transparent board made of non-flammable polycarbonate, 5 mm thick, dimensions 926x1878 mm,
 - stand H-2000 mm $\varnothing 48 \times 2,0$ with a slat,
 - elements of the stand (base, cap, connector)
- Partition is fixed to the ground with anchor.

Dimensions:

Partition's height - 2000 mm,
Spacing on stands - 1000 mm

Finish:

Stand and the slat - chrome,
Base - electroplated with zinc.



ELEMENTS	FINISH	INDEX
1. Finishing stand	chrome	919-320-548
2. Corner stand	chrome	919-320-549
3. Middle corner stand	chrome	919-320-552
4. Middle stand	chrome	919-320-547
5. Corner connector	zinc plated + lacquer	919-350-870
6. Middle corner connector	zinc plated + lacquer	919-350-869
7. Middle connector	zinc plated + lacquer	919-350-864
8. Base	zinc plated + lacquer	919-350-860
9. Finish cap	zinc plated + lacquer	919-350-863
10. Short cap	zinc plated + lacquer	919-350-862
11. Middle cap	zinc plated + lacquer	919-350-861
12. Board made of polycarbonate 926x1878 mm	_____	PL_5,0X926X1878-P

S CUSTOMER GUIDANCE SYSTEMS