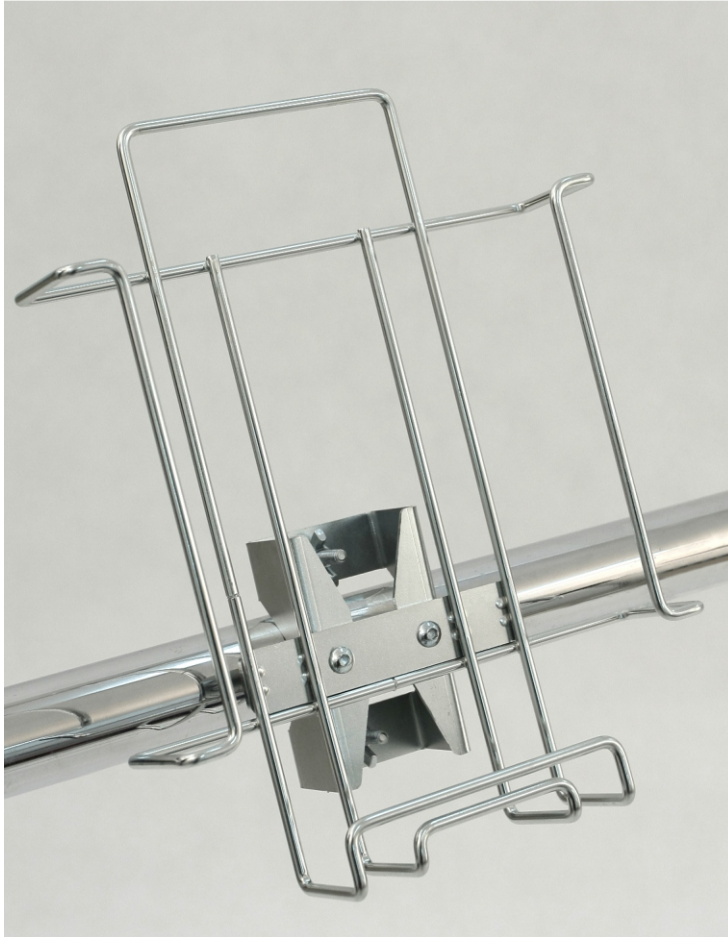


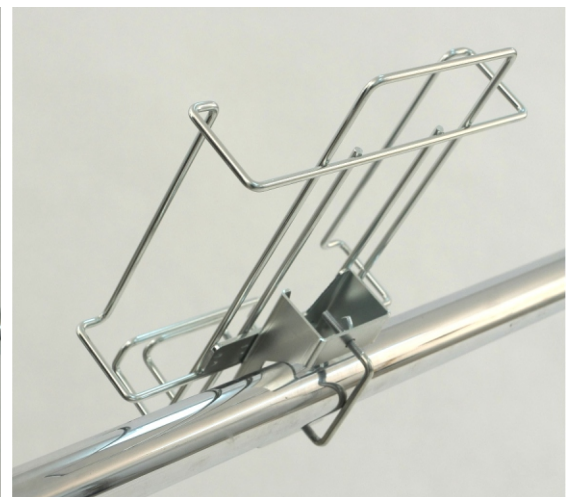
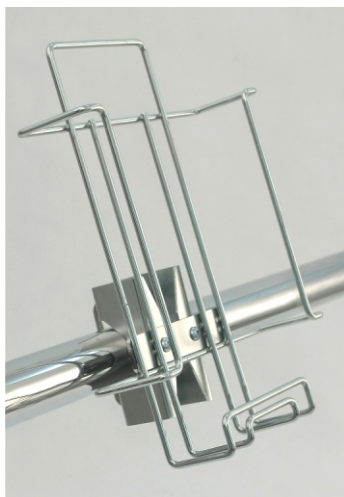
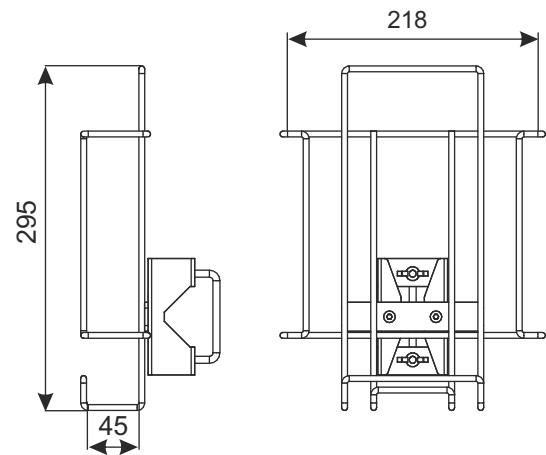
GRIP WITH THE TRAY FOR FLYERS A4 AND A5



The grip with the tray serves as a display for leaflets A4 and A5. Grip is mounted on a horizontal pipe which is for example the part of customer guidance system or trolley pass.

Standard finish: zinc plated + lacquer.

Technical data: Construction of grip is made of metal plate, to which the tray for leaflet is bolted. The tray is made of wire. The grip is mounted on a horizontal pipe using the mounting rod tightened with wing nuts.



PRODUCT NAME	FINISH	INDEX
Grip with the tray for flyers A4 and A5	zinc plated + lacquer	919-351-032

E3 SPECIAL RETAIL EQUIPMENT