

THE GRIP TO THE BASKET FOR BAGS ON ROLL FIXED TO THE SHELF BRACKET

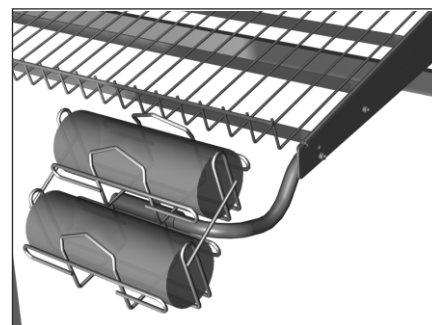
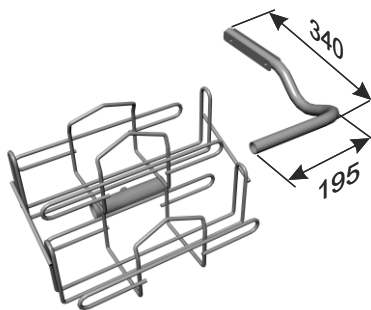
The grip is designed for fixing a basket for bags on roll on the racks shelf by screwing the grip to the shelf bracket. The basket for bags on roll is fixed to the grip by putting the basket onto the tube and fasten by screw.

Standard finish: zinc plated + lacquer.

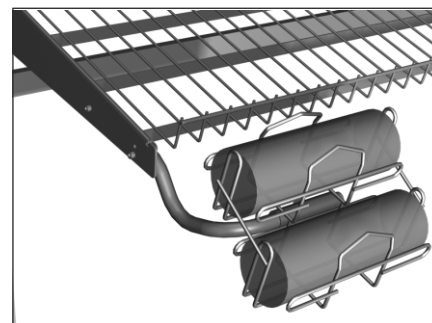
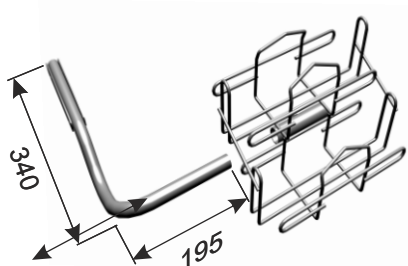
Technical data: Grip made of tube and section.

Maximum loading: ca 10 kg.

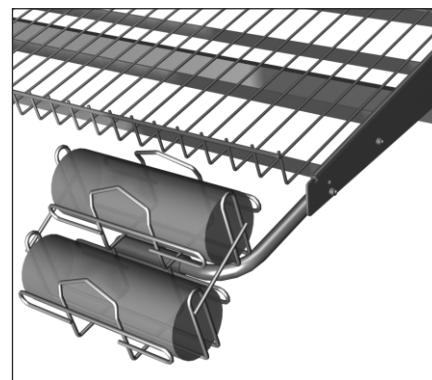
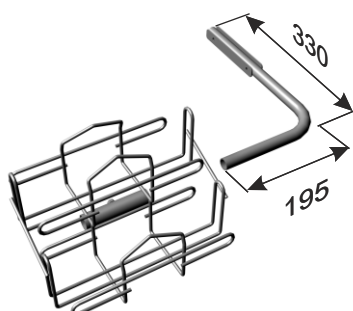
Right grip



Left grip



Universal grip



PRODUCT NAME	FINISH	INDEX
Right grip to the basket for bags on roll fixed to the shelf bracket	zinc plated + lacquer	919-350-688
Left grip to the basket for bags on roll fixed to the shelf bracket	zinc plated + lacquer	919-350-687
Universal grip to the basket for bags on roll fixed to the shelf bracket	zinc plated + lacquer	919-350-686
ELEMENTS ADAPTED FOR ASSEMBLY WITH THE GRIP	FINISH	INDEX
Double basket for bags on roll	zinc plated + lacquer	919-350-685

E3 SPECIAL RETAIL EQUIPMENT