

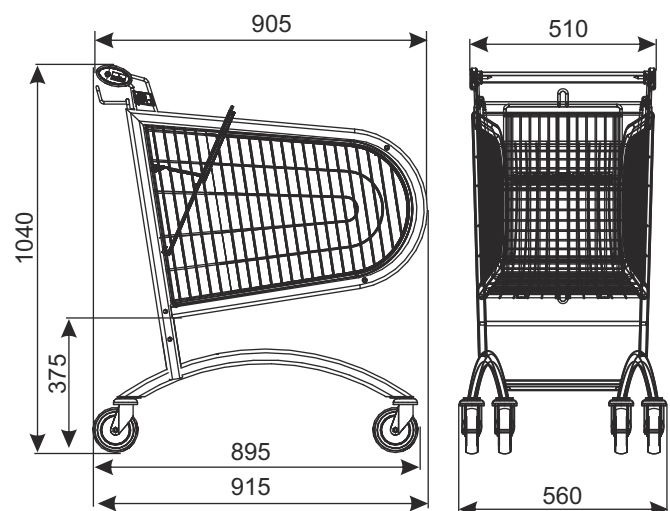
SHOPPING TROLLEY AVANT P140



| | |
|-------------------------|--|
| TYPE | Avant P140 |
| BASKET CAPACITY | 134 l |
| LOADING | 134 kg |
| WHEEL DIAMETER | 125 mm |
| FINISH | wire mesh: zinc plated + lacquer, frame: zinc plated + powder coating |
| NESTING DISTANCE | 220 mm |

In the standard version shopping trolley has standard wheels. Optional accessories (inter alia wheels for travelator or with brake, coin lock, the logo and other accessories) require separate arrangements.

Note: If you use wheels for passenger conveyors, maximum loading of the trolley is 130 kg.



| PRODUCT NAME | FINISH | INDEX |
|---|---|-------------|
| Shopping trolley Avant P140 with toddler seat | zinc plated + lacquer, zinc plated + powder coating | 919-320-565 |

W1 SHOPPING TROLLEYS