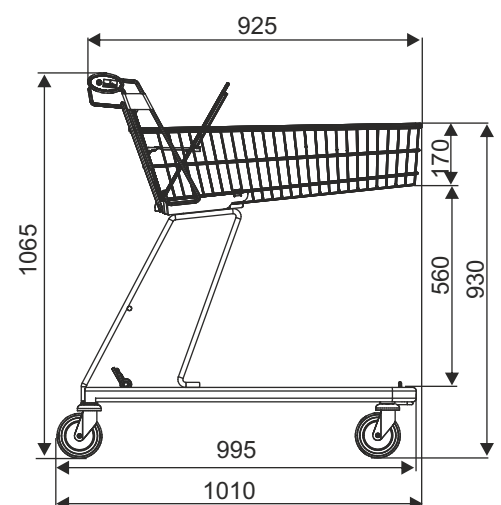
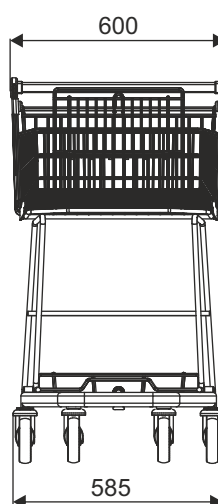


## SHOPPING TROLLEY CLASSIC 70 SPECIAL (WT-70RPS)



TYPE	Classic 70 SPECIAL
BASKET CAPACITY	70 l
LOADING OF BASKET	70 kg
TOTAL LOADING	110 kg
WHEEL DIAMETER	125 mm
NESTING DISTANCE	230 mm

In the standard version shopping trolley has standard wheels and is without the logo and coin lock. Optional accessories (inter alia wheels for travelator or with brake, locks and other accessories) require separate arrangements.



PRODUCT NAME	FINISH	INDEX
Shopping trolley Classic 70 SPECIAL (WT-70RPS) with toddler seat	zinc plated + lacquer	919-351-202

### W1 SHOPPING TROLLEYS