

## TRANSPORT TROLLEY VARIO 125M

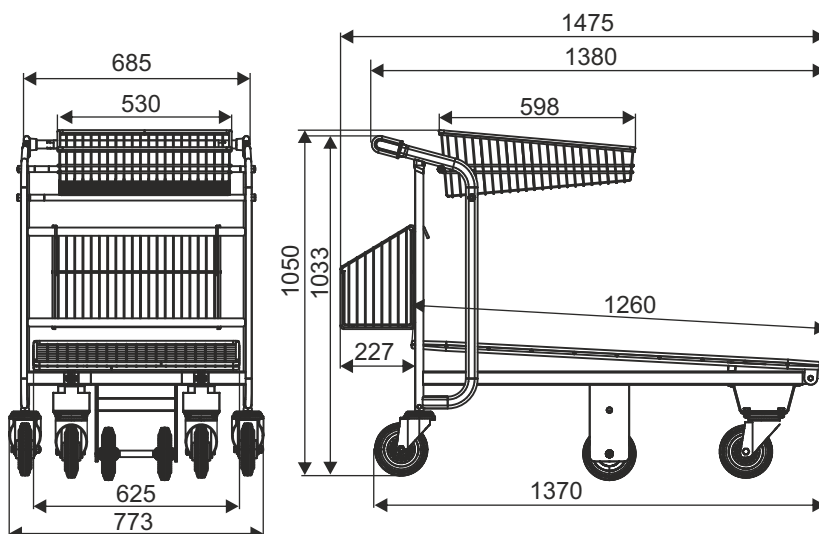
**NEW!**



**Optional equipment:**  
- rear basket



TYPE	Vario 125M
LOADING OF THE UPPER BASKET	50 kg
LOADING OF THE REAR BASKET (option)	30 kg
TOTAL LOADING	450 kg
WHEEL DIAMETER	160 mm
NESTING DISTANCE	350 mm



In the standard version shopping trolley has standard wheels. Optional accessories (inter alia wheels with brake, coin lock, logo and other accessories) require separate arrangements.

PRODUCT NAME	FINISH	INDEX
Transport trolley Vario 125M	zinc plated + lacquer	919-351-410

### W3 TRANSPORT TROLLEYS