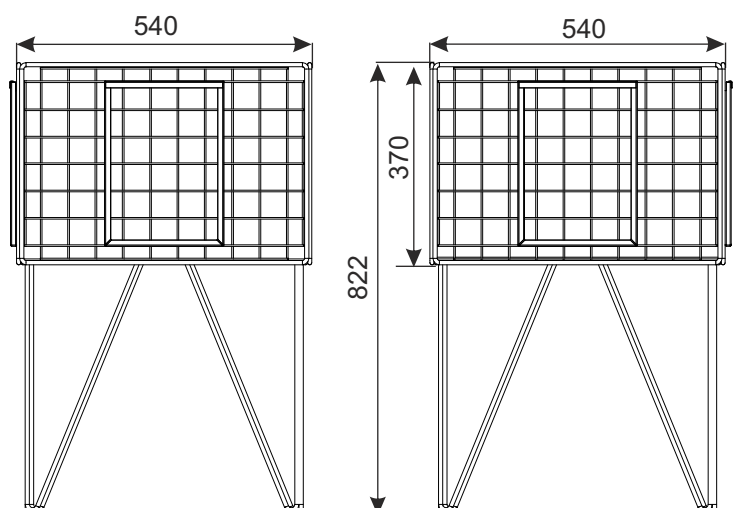


## DUMPING BASKET ON LEGS 54x54x82 CM



The ideal tool for promotion, sales and marketing campaigns.

**Finish:** zinc plated + lacquer.

**Technical data:** Structure made of spot welded wires.

**Maximum loading:** 75 kg

PRODUCT NAME	FINISH	INDEX
Dumping basket on legs 54X54X82 cm	zinc plated + lacquer	919-351-080

### E1 DISPLAY TABLES, WIRE BASKETS