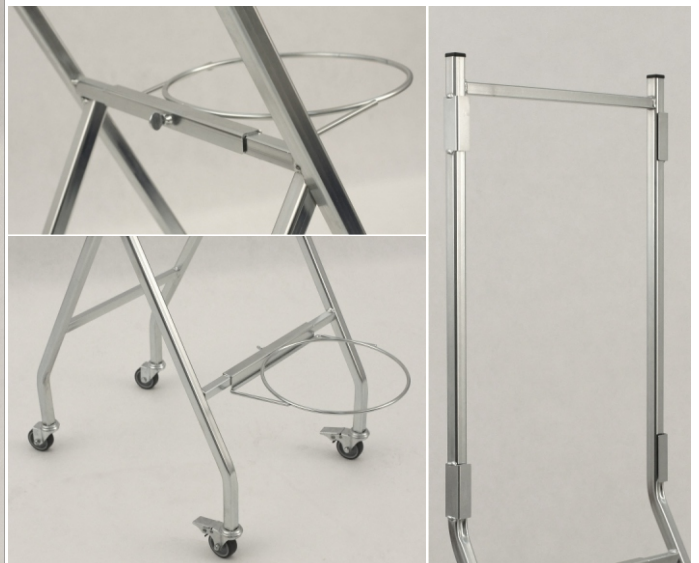
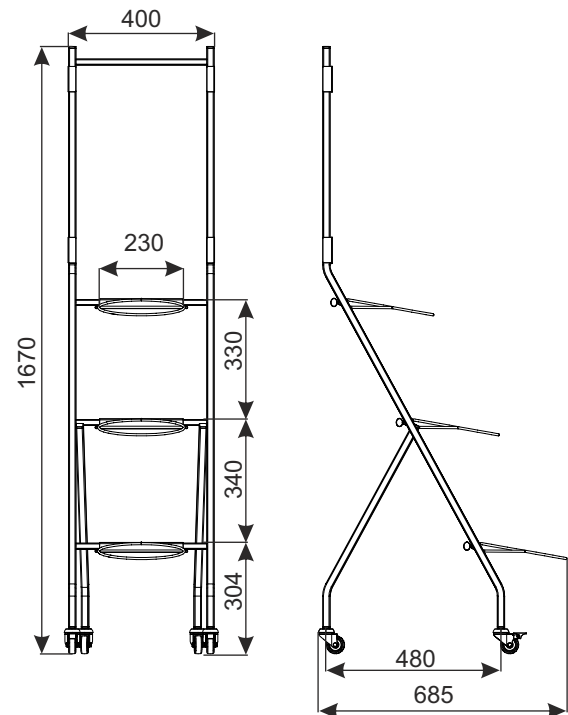


STAND FOR CUT FLOWERS



The stand on wheels for cut flowers is made of steel profile, with 3 rims for buckets with flowers.

Standard finish: zinc plated or powder painted.



PRODUCT NAME	FINISH	INDEX
Stand for cut flowers	zinc plated + lacquer	919-351-041

E3 SPECIAL RETAIL EQUIPMENT