

VEGETABLE STAND S2 WITH REGULATION

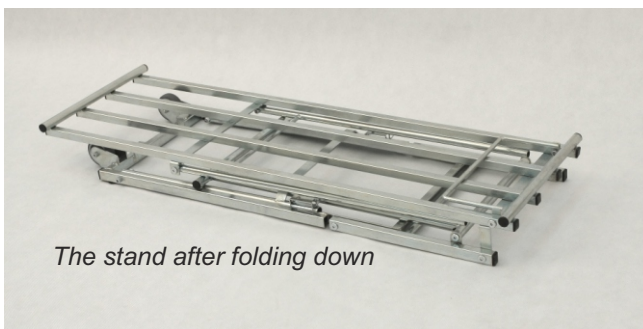


Stand is designed for exhibition and sale of fruits and vegetables placed on the boxes. On one rack, you can put 2 boxes.

Standard finish: zinc plated + lacquer, optionally: upper frame powder coated.

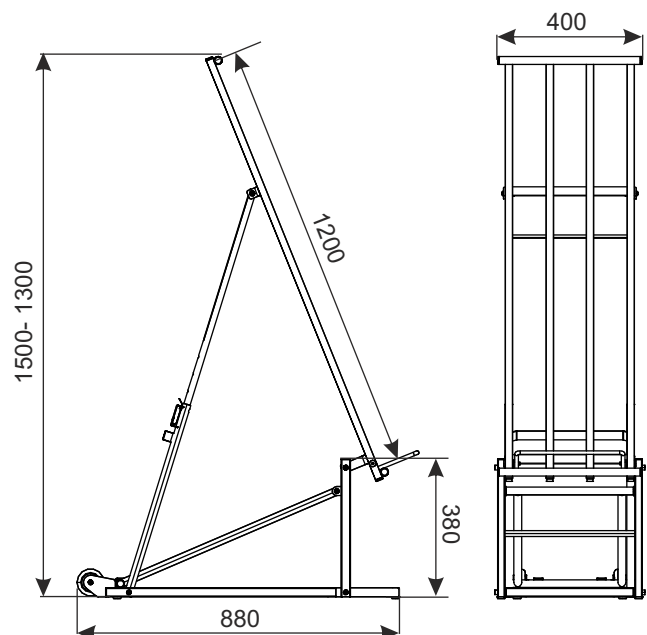
Technical data: Rack made of sections and pipes; castors $\varnothing 80$ mm. There is a possibility to adjust the tilt of the frame. Rack construction allows to folding a rack to the very small size.

Maximum loading: 75 kg.



The stand after folding down

Size of the folded stand: 1260x415x120 mm.



PRODUCT NAME	FINISH	INDEX
Vegetable stand S2 with regulation	zinc plated + lacquer	919-350-940

E3 SPECIAL RETAIL EQUIPMENT