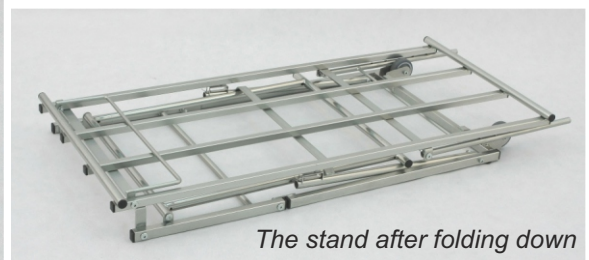


VEGETABLE STAND S3 WITH REGULATION



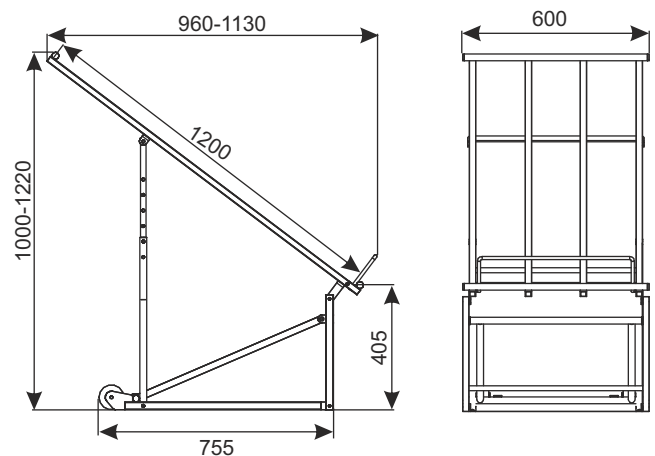
The stand after folding down

Stand is designed for exhibition and sale of fruits and vegetables placed on the boxes. On one rack, you can put 3 boxes.

Standard finish: zinc plated + lacquer, optionally: upper frame powder coated.

Technical data: Rack made of sections and pipes; castors $\varnothing 80$ mm. There is a possibility to adjust the tilt of the frame. Rack construction allows to folding a rack to the very small size. Size of the folded stand: 1260x615x120 mm.

Maximum loading: 100 kg.



PRODUCT NAME	FINISH	INDEX
Vegetable stand S3 with regulation	zinc plated + lacquer	919-350-905

E3 SPECIAL RETAIL EQUIPMENT