

PACKAGING TABLE

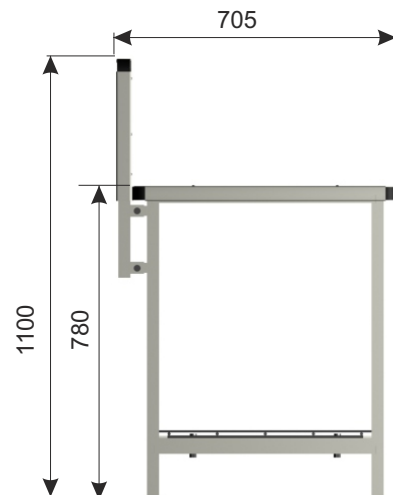
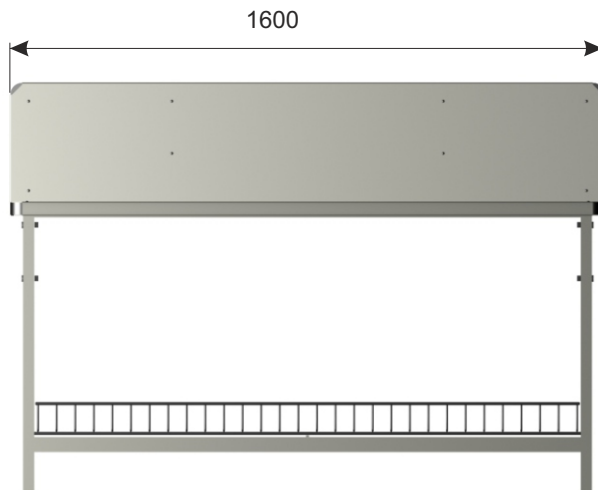


Packaging table is used to packing and repacking of the goods bought in the shop.

Standard finish: powder coated, wire mesh zinc plated.

Technical data: structure made of sections, table top made of metal sheet, lower shelf made of steel wires.

Maximum loading: upper shelf ca 200 kg, lower shelf ca 100 kg (with equable spreading of the goods).



PRODUCT NAME	FINISH	INDEX
Packaging table	powder coated	919-343-025

E3 SPECIAL RETAIL EQUIPMENT