

ENTRY BARRIER WITH BILLBOARD AND FENDER

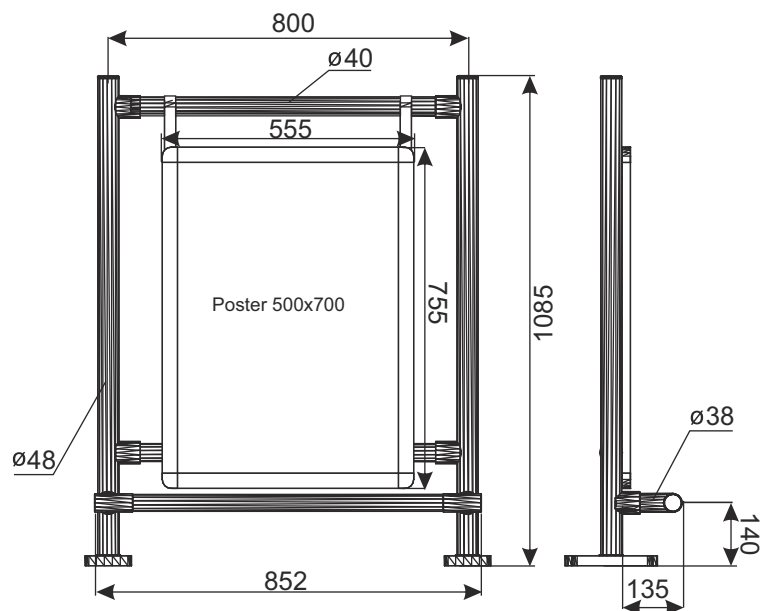


Entry barrier contains:

- room partition H-1085
- billboard 700x500 with holders
- fender fixed to the stand of partition

Billboard 700x500 with holders:

Intended for graphic in dimensions 700x500 mm, double-sided graphics is visible on both sides on the plate, secured on the outside with transparent foil; aluminium clicker frame, table mounted to partition by handles of sheet metal for tube fi 40 mm, handles are zinc galvanic.



PRODUCT NAME	FINISH	INDEX
Billboard 700x500 with holders	zinc plated + lacquer	919-350-850
Room partition H-1085	chrome	—
Fender fixed to the stand of partition	material - stainless steel	—

S CUSTOMER GUIDANCE SYSTEMS