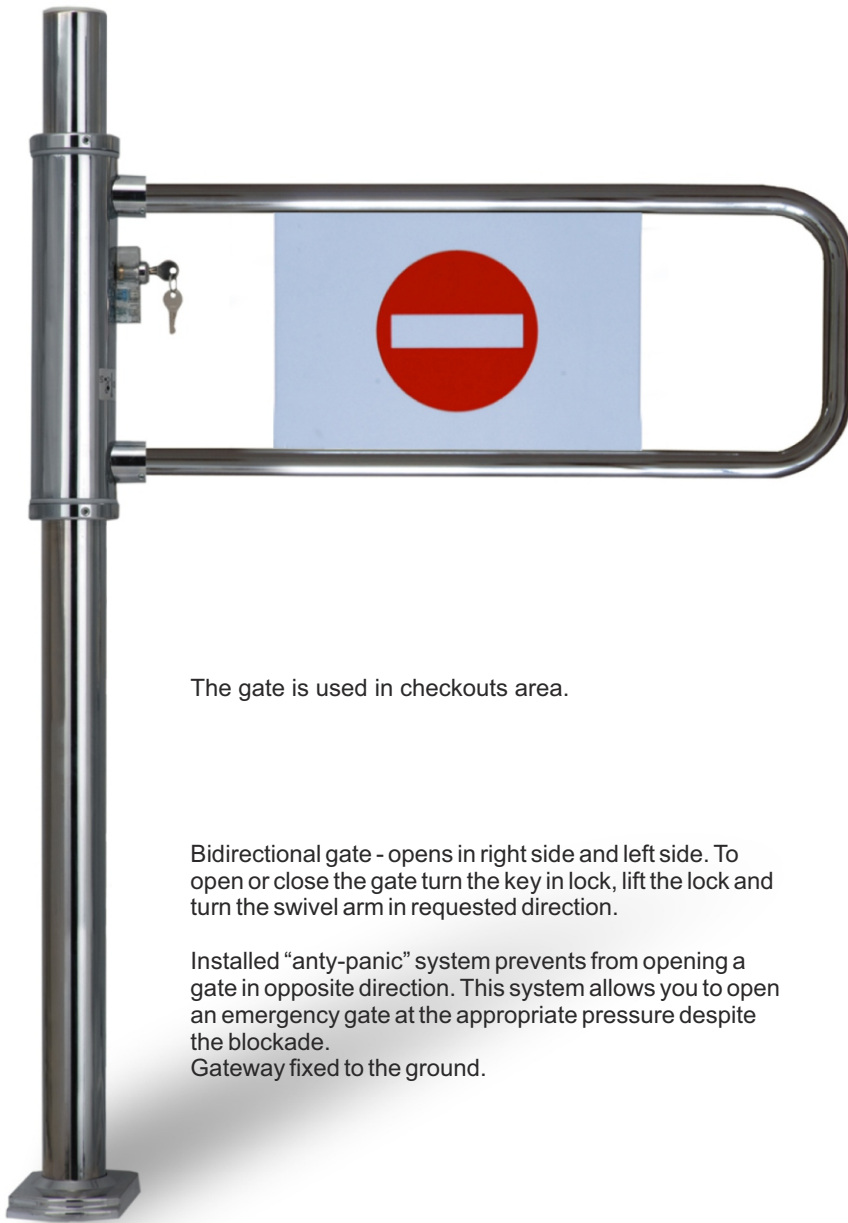


CHECKOUT BARRIER PORTA'C1

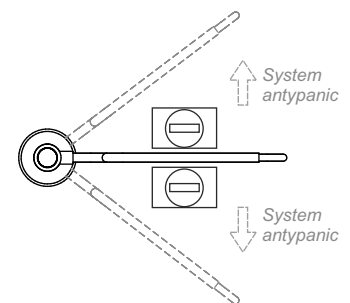
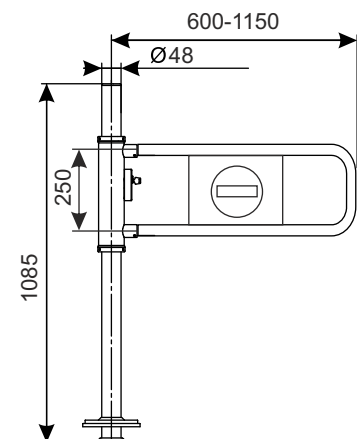
Checkout barrier Porta'C1 with low bar H-250



The gate is used in checkouts area.

Bidirectional gate - opens in right side and left side. To open or close the gate turn the key in lock, lift the lock and turn the swivel arm in requested direction.

Installed "anty-panic" system prevents from opening a gate in opposite direction. This system allows you to open an emergency gate at the appropriate pressure despite the blockade. Gateway fixed to the ground.



PRODUCT NAME	FINISH	INDEX
Checkout barrier Porta'c1:		
Checkout barrier	chrome	919-320-538
Bar of the entrance H-250	chrome	919-320-526

S CUSTOMER GUIDANCE SYSTEMS