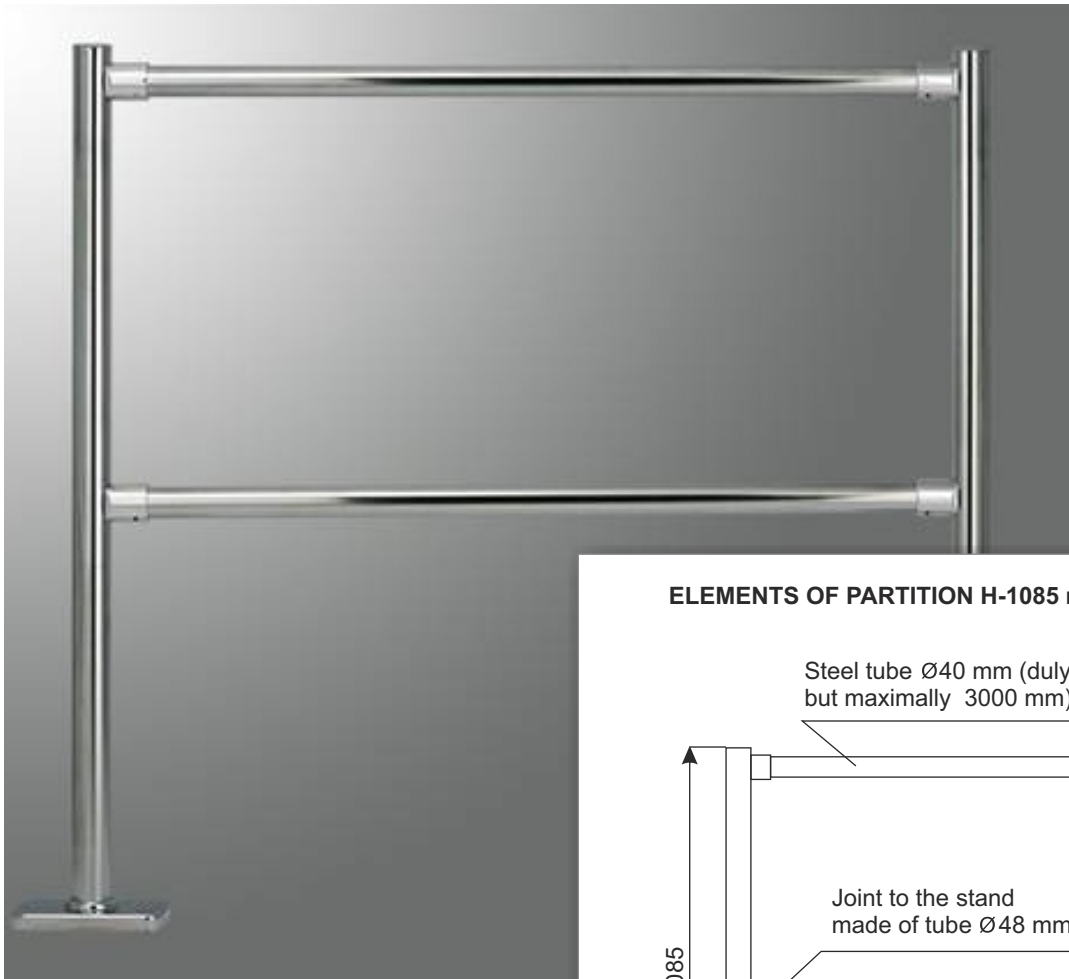
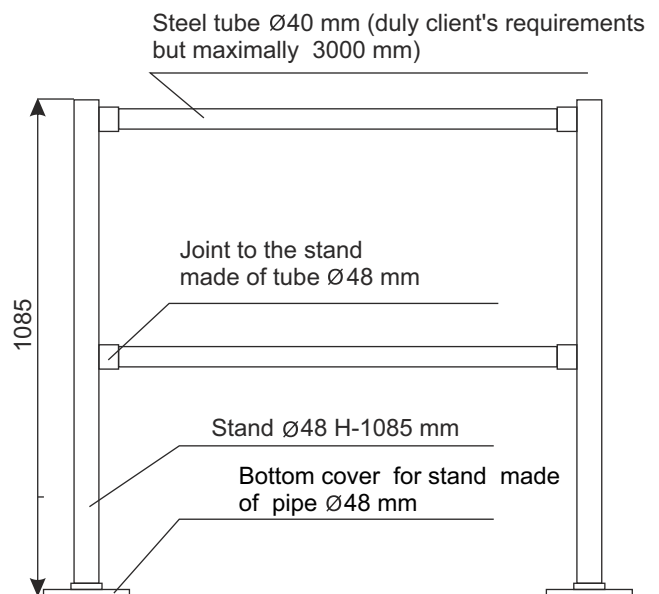


ROOM PARTITION H 1085



ELEMENTS OF PARTITION H-1085 mm:



ELEMENTS OF PARTITION H-1085 mm:	FINISH	INDEX
Joint of plastic in chrom to the stand of tube $\varnothing 48$ mm or joint of plastic in RAL 7042 to the stand of tube $\varnothing 48$ mm	— —	MUFA_R_D48/D40-CR
Stand $\varnothing 48$ H-1085 mm	chrome	919-320-408
Bottom cover for stand made of pipe $\varnothing 48$ mm	chrome	919-320-511
Steel tube $\varnothing 40$ mm	chrome	R_40X1,5-CR

S CUSTOMER GUIDANCE SYSTEMS