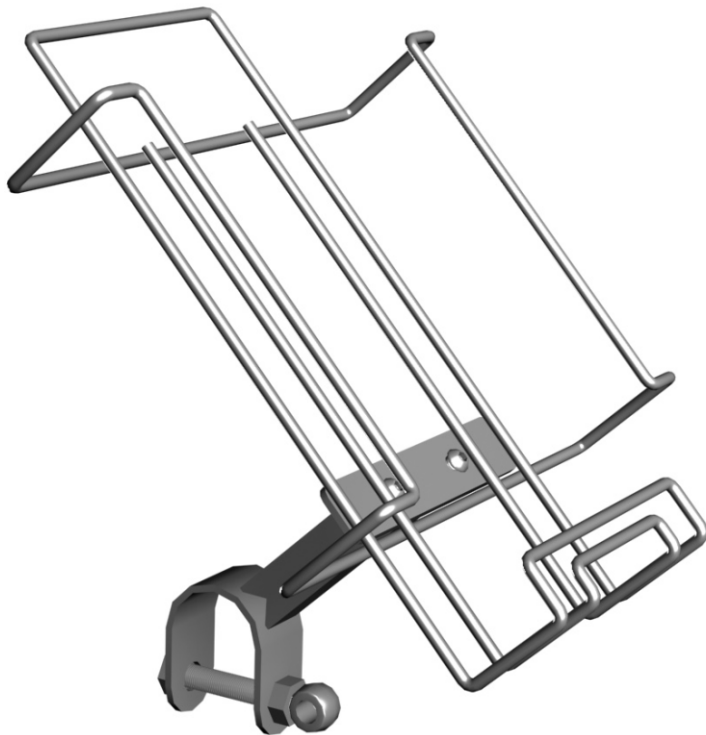


GRIP WITH TRAY FOR FLYERS A4 AND A5

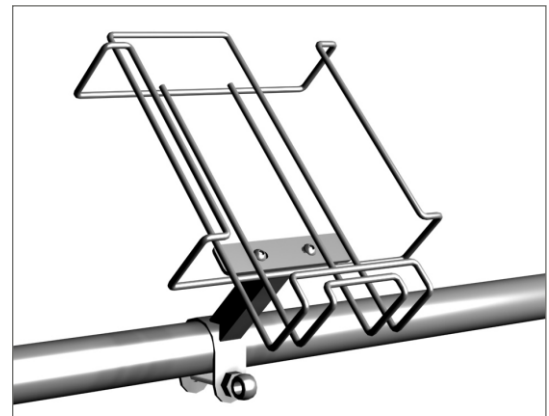


The grip with the tray serves as a display for leaflets A4 and A5. Grip is mounted on a horizontal pipe which is for example the part of customer guidance system or trolley pass.

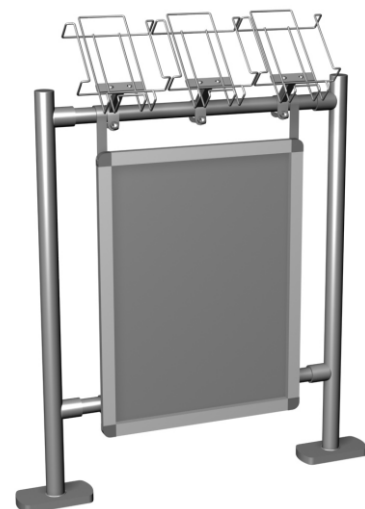
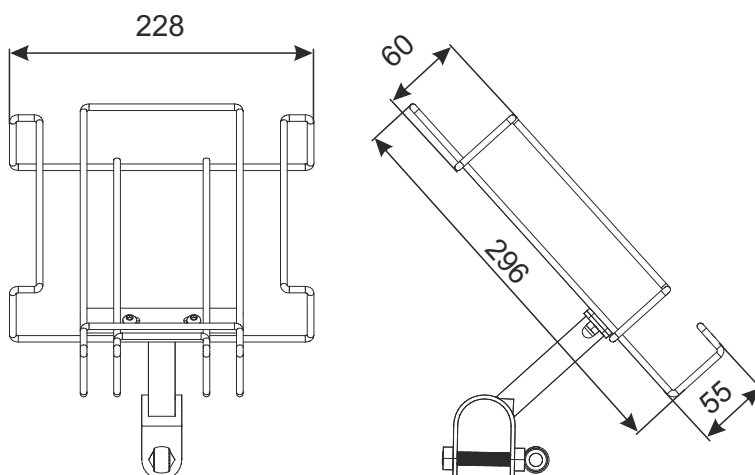
Standard finish: zinc plated + lacquer.

Technical date: Grip with tray is turned by screws. A tray made of wire. Grip is mounted on horizontal tube $\varnothing 40$ mm through its application on the tube and tightening screw fixing.

An example of application – assembly on partition:



An example of application – assembly on entry barrier:



PRODUCT NAME	FINISH	INDEX
Grip with tray for flyers A4 and A5 mounted on screw	zinc plated + lacquer	919-351-259v2

E3 SPECIAL RETAIL EQUIPMENT