

SHOPPING TROLLEY FOR KIDS AVANT P20

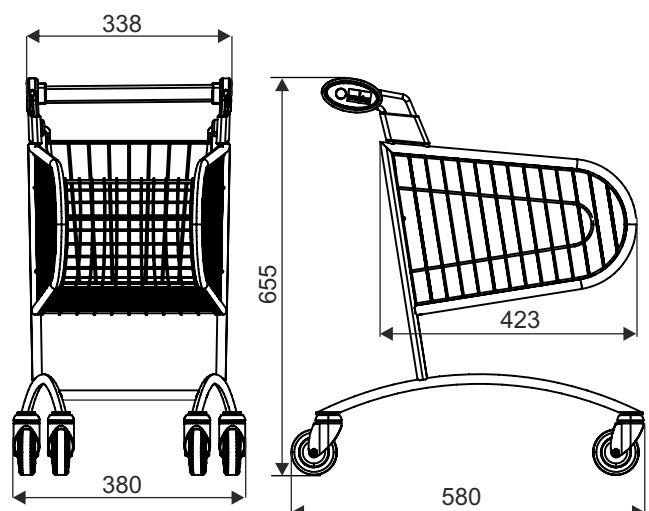


TYPE	Avant P20
BASKET CAPACITY	20 l
LOADING	20 kg
WHEEL DIAMETER	75 mm
NESTING DISTANCE	175 mm

Standard finish:
zinc plated + powder coating or zinc plated+ lacquer.

ADDITIONAL EQUIPMENT:

- mast with the handle,
- mast without the handle



PRODUCT NAME	FINISH	INDEX
Shopping trolley for kids Avant P20	zinc plated + powder coating/ zinc plated + lacquer	919-351-155

W2 SPECIAL TROLLEYS, ACCESSORIES