

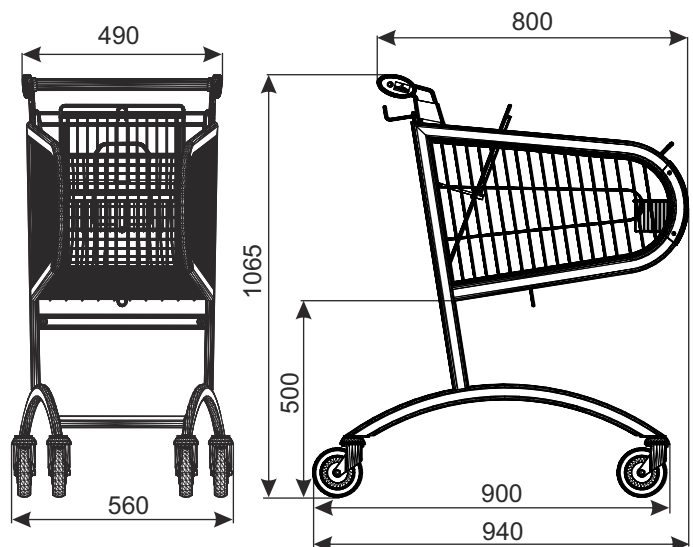
## SHOPPING TROLLEY AVANT P75

**NEW!**



<b>TYPE</b>	Avant P75
<b>BASKET CAPACITY</b>	75 l
<b>LOADING</b>	75 kg
<b>WHEEL DIAMETER</b>	125 mm
<b>FINISH</b>	wire mesh: zinc plated + lacquer, frame: zinc plated + powder coating
<b>NESTING DISTANCE</b>	225 mm

In the standard version shopping trolley has standard wheels. Optional accessories (inter alia wheels for travelator or with brake, coin lock, the logo and other accessories) require separate arrangements.



PRODUCT NAME	FINISH	INDEX
Shopping trolley Avant P75 with toddler seat	zinc plated + lacquer, zinc plated + powder coating	919-344-078

### **W1** SHOPPING TROLLEYS