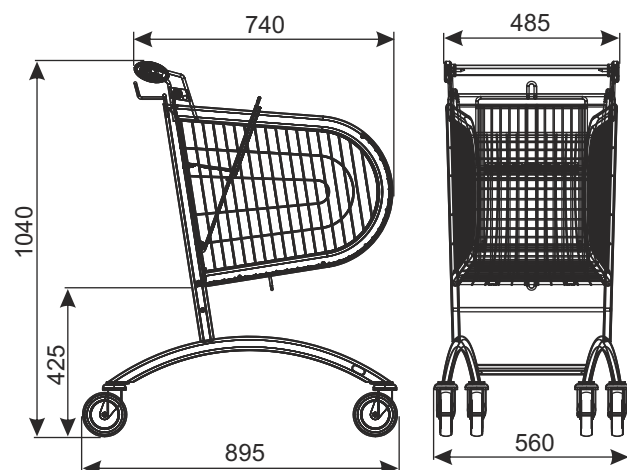


SHOPPING TROLLEY AVANT P90



TYPE	Avant P90
BASKET CAPACITY	89 l
LOADING	89 kg
WHEEL DIAMETER	125 mm
FINISH	wire mesh: zinc plated + lacquer, frame: zinc plated + powder coating
NESTING DISTANCE	220 mm

In the standard version shopping trolley has standard wheels. Optional accessories (inter alia wheels for travelator or with brake, coin lock, the logo and other accessories) require separate arrangements.



PRODUCT NAME	FINISH	INDEX
Shopping trolley Avant P90 with toddler seat	zinc plated + lacquer, zinc plated + powder coating	919-320-566

W1 SHOPPING TROLLEYS