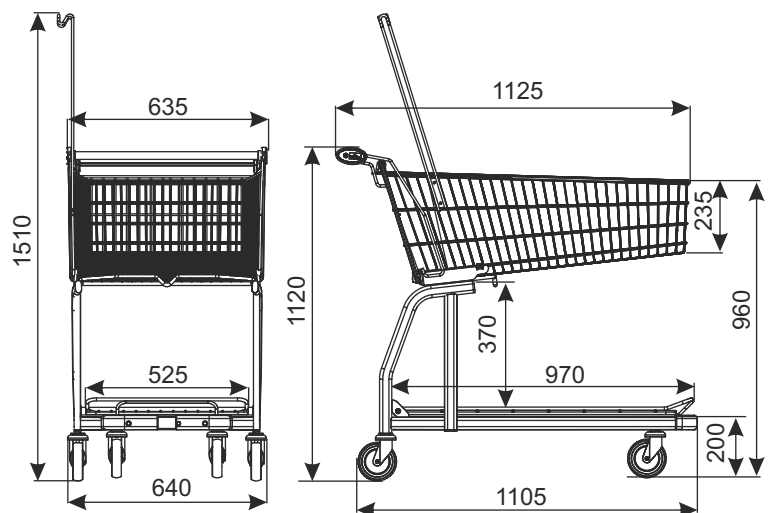


SHOPPING TROLLEY CLASSIC 140M



TYPE	Classic 140M
BASKET CAPACITY	140 l
LOADING OF BASKET	140 kg
TOTAL LOADING	190 kg
WHEEL DIAMETER	125 mm
FINISH	zinc plated + thermal setting lacquer
NESTING DISTANCE	265 mm

In the standard version shopping trolley has standard wheels. Optional accessories (inter alia wheels for travelator or with brake, coin lock, the logo and other accessories) require separate arrangements. Textiles holder is optional equipment.
Note: If you use wheels for travelator, maximum loading of the trolley is 130 kg.



PRODUCT NAME	FINISH	INDEX
Shopping trolley Classic 140M	zinc plated + lacquer	919-351-176
Shopping trolley Classic 140M with toddler seat	zinc plated + lacquer	919-351-176 v2
Textiles holder for shopping trolley 140M (optional)	zinc plated + lacquer	919-351-172

W1 SHOPPING TROLLEYS