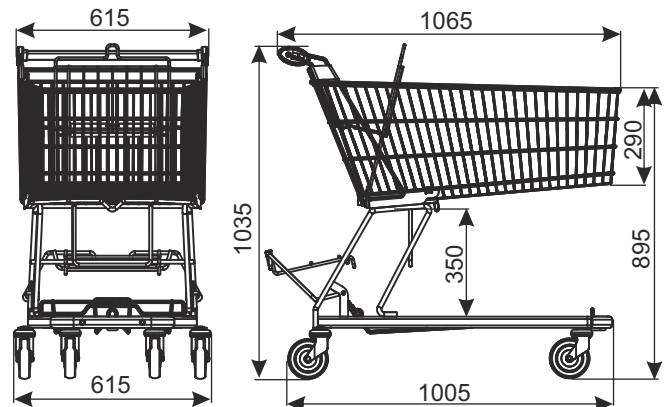


## SHOPPING TROLLEY CLASSIC 155P (with the shelf for multi-pack)



TYPE	Classic 155P
BASKET CAPACITY	143 l
LOADING OF BASKET	143 kg
LOADING OF THE SHELF FOR MULTI-PACK	30 kg
TOTAL LOADING	210 kg
WHEEL DIAMETER	125 mm
FINISH	zinc plated + thermal setting lacquer
NESTING DISTANCE	245 mm



In the standard version shopping trolley has standard wheels. Optional accessories (inter alia wheels for travelator or with brake, coin lock, the logo and other accessories) require separate arrangements.  
Note: If you use wheels for travelator, maximum loading of the trolley is 130 kg.

PRODUCT NAME	FINISH	INDEX
Shopping trolley Classic 155P with toddler seat	zinc plated + lacquer	_____

### W1 SHOPPING TROLLEYS