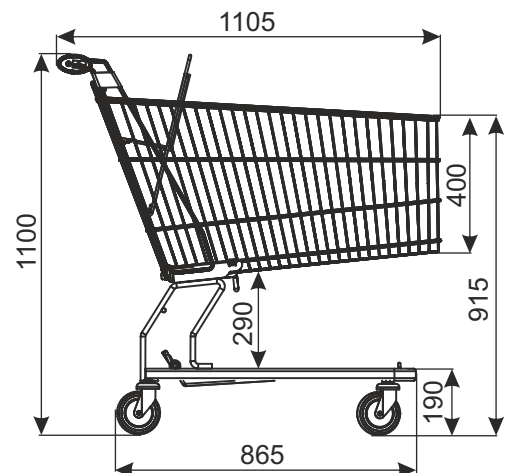


## SHOPPING TROLLEY CLASSIC 180K



TYPE	Classic 180K
BASKET CAPACITY	180 l
LOADING OF BASKET	180 kg
TOTAL LOADING	230 kg
WHEEL DIAMETER	125 mm
FINISH	zinc plated + thermal setting lacquer
NESTING DISTANCE	220 mm



In the standard version shopping trolley has standard wheels. Optional accessories (inter alia wheels for travelator or with brake, coin lock, the logo and other accessories) require separate arrangements.  
Note: If you use wheels for travelator, maximum loading of the trolley is 130 kg.

PRODUCT NAME	FINISH	INDEX
Shopping trolley Classic 180K	zinc plated + lacquer	919-351-185

### W1 SHOPPING TROLLEYS