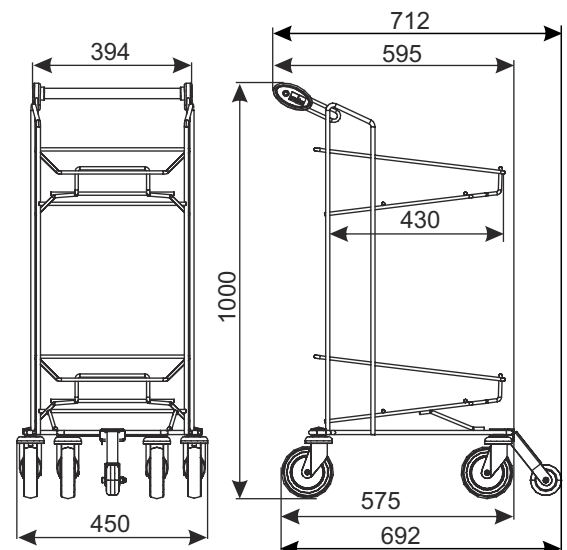


## TROLLEY FOR TWO BASKETS VARIO WKR XL FOR TRAVELATOR



TYPE	Trolley for two baskets Vario WKR XL for travelator
LOADING	60 kg
WHEEL DIAMETER	125 mm
NESTING DISTANCE	150 mm

Trolley is purposed for 20 l and 25 l baskets.  
 (Trolley is sold without baskets.)  
 Special wheels enable the using the trolley on travelator.  
 The fifth circle is ensuring the stability of the trolley during the convention from travelator.



PRODUCT NAME	FINISH	INDEX
Trolley for two baskets Vario WKR for travelator	zinc plated + lacquer	—

### W2 SPECIAL TROLLEYS, ACCESSORIES