

TRANSPORT TROLLEY CARRY 160



As a standard is the trolley with two front bars (mounted to the lifted hatch), optional is available with one bar or without bars.

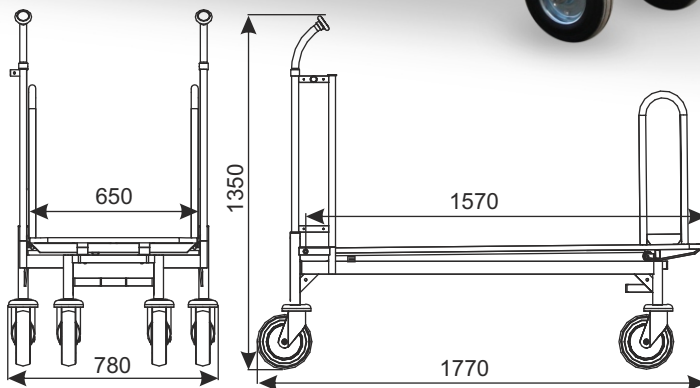
TYPE	Carry 160
LOADING	500 kg
WHEEL DIAMETER	200 mm
NESTING DISTANCE	445 mm

Standard finish:

zinc plated, sides are additionally powder coated, what enriches the aesthetics of the trolley and composes with color scheme of the shop.

ADDITIONAL EQUIPMENT:

In the standard version shopping trolley has standard wheels. Optional accessories (inter alia wheels with brake, coin lock, logo and other accessories) require separate arrangements.



Retainer



Bar



Trolley with mast



PRODUCT NAME

Transport trolley Carry 160

FINISH

zinc plated/powder coated

INDEX

919-343-791

W3 TRANSPORT TROLLEYS