

TRANSPORT TROLLEY CARRY 160 with the fifth wheel

NEW!

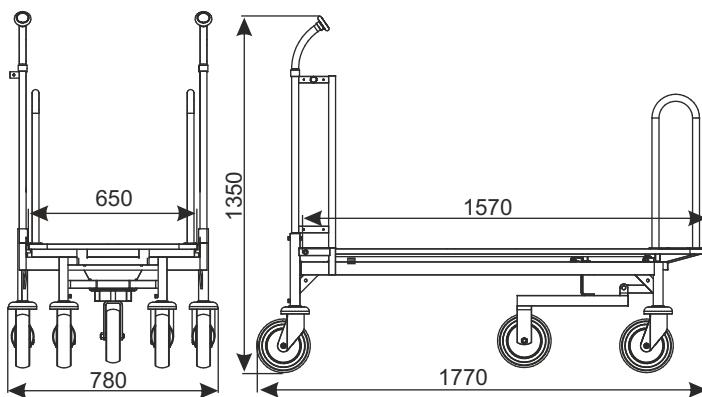


As a standard is the trolley with two front bars (mounted to the lifted hatch), optional is available with one bar or without bars.

TYPE	Carry 160
LOADING	500 kg
WHEEL DIAMETER	200 mm
NESTING DISTANCE	445 mm

Standard finish:

zinc plated, sides are additionally powder coated, what enriches the aesthetics of the trolley and composes with color scheme of the shop.



The fifth wheel makes it easy to make turns with the stocked trolley.

ADDITIONAL EQUIPMENT:

In the standard version shopping trolley has standard wheels. Optional accessories (inter alia wheels with brake, coin lock, logo and other accessories) require separate arrangements.

Retainer



Trolley with mast



Bar



PRODUCT NAME	FINISH	INDEX
Transport trolley Carry 160 with the fifth wheel	zinc plated/powder coated	919-343-791

W3 TRANSPORT TROLLEYS