

TRANSPORT TROLLEY CARRY 90



As a standard is the trolley with one front bar (mounted to the lifted hatch) or optional without bars.

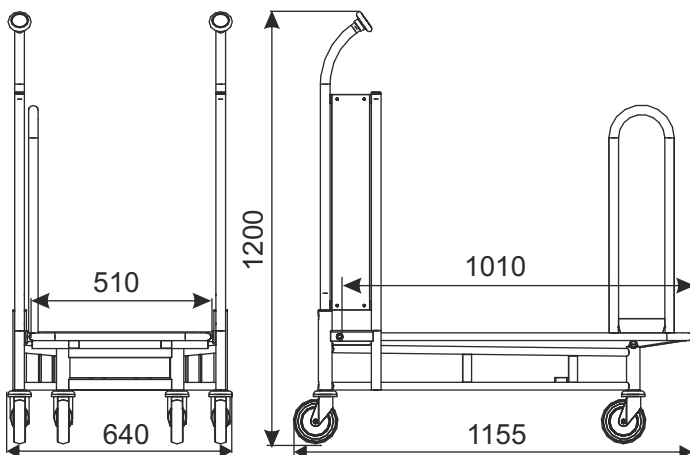
TYPE	Carry 90
LOADING	300 kg
WHEEL DIAMETER	125 mm
NESTING DISTANCE	250 mm

Standard finish:

zinc plated, sides are additionally powder coated, what enriches the aesthetics of the trolley and composes with color scheme of the shop.

ADDITIONAL EQUIPMENT:

In the standard version shopping trolley has standard wheels. Optional accessories (inter alia wheels with brake, coin lock, logo and other accessories) require separate arrangements.



PRODUCT NAME	FINISH	INDEX
Transport trolley Carry 90	zinc plated/powder coated	919-342-998

W3 TRANSPORT TROLLEYS