

TROLLEY FOR FENCE PANELS

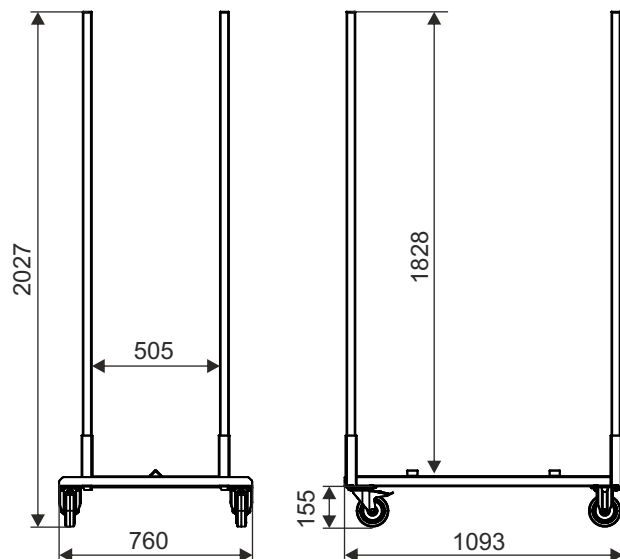
NEW!



Standard finish: zinc plated + lacquer, frame: hot-dip zinc.

Technical data: Construction made of sections, 4 wheels with a diameter of 125 mm (2 pcs. Fixed castors, 2 pcs. Swivel wheels with brake).

Maximum loading: 100 kg



PRODUCT NAME	FINISH	INDEX
Trolley for fence panels	zinc	922-350-016

E3 SPECIAL RETAIL EQUIPMENT