

TRANSPORT TROLLEY VARIO WTP4

NEW!

The trolley has a wire platform, a lower basket and an upper basket. The upper basket can be lifted upwards, which allows to increase the loading area of the wire platform. The mounted actuator prevents the basket from falling spontaneously.

Standard finish: zinc plated+lacquer.

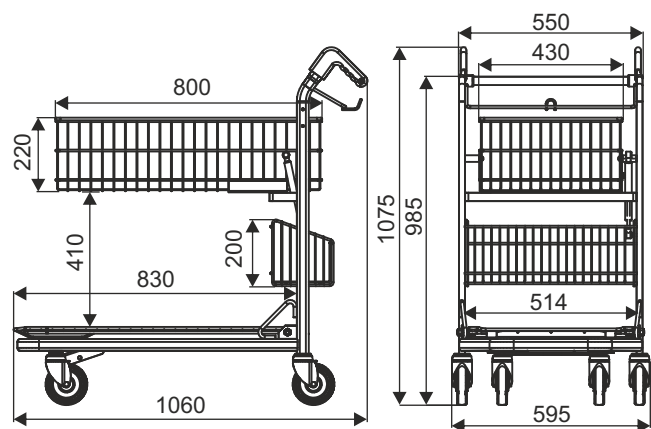


TYPE	Vario WTP4
LOADING OF THE UPPER BASKET	80 kg
LOADING OF THE LOWER BASKET	20 kg
CAPACITY OF THE LOWER BASKET	13 L
TOTAL LOADING	200 kg
WHEEL DIAMETER	125 mm
NESTING DISTANCE	300 mm

Optional equipment:

- the fifth wheel

- Side handle for the coin lock



In the standard version shopping trolley has standard wheels. Optional accessories (inter alia wheels with brake, coin lock, logo and other accessories) require separate arrangements.

PRODUCT NAME	FINISH	INDEX
Transport trolley Vario WTP4	zinc plated + lacquer	—

W3 TRANSPORT TROLLEYS