

## TRANSPORT TROLLEY VARIO 110



TYPE	Vario 110
BASKET CAPACITY	37 l
LOADING OF BASKET	37 kg
TOTAL LOADING	300 kg
WHEEL DIAMETER	125 mm
NESTING DISTANCE	280 mm

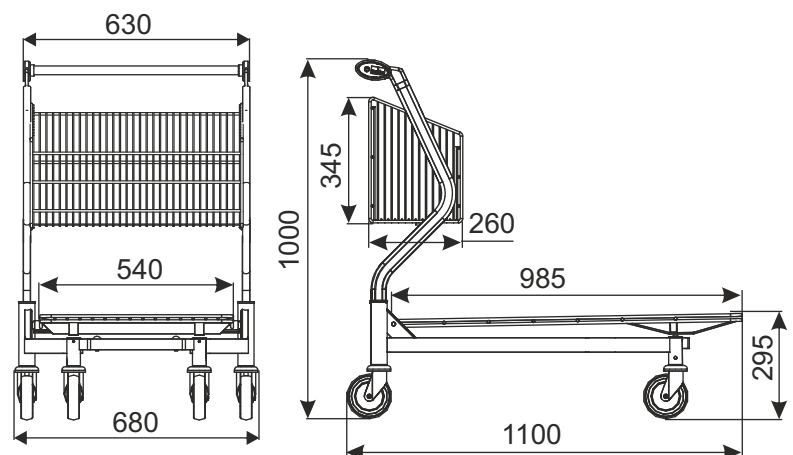
### Trolley is available in the option:

- with the wire platform,
- with full platform ( platform of plywood, anti-slip, waterproof, double-sided foiled).

### Standard finish:

zinc plated, sides are additionally powder coated, what enriches the aesthetics of the trolley and composes with color scheme of the shop.

In the standard version shopping trolley has standard wheels. Optional accessories (inter alia wheels with brake, coin lock, logo and other accessories) require separate arrangements.



PRODUCT NAME	FINISH	INDEX
Transport trolley Vario 110	zinc plated/powder coated	919-350-746

## W3 TRANSPORT TROLLEYS