

## TRANSPORT TROLLEY VARIO 120



TYPE	Vario 120
BASKET CAPACITY	40 l
LOADING OF BASKET	40 kg
TOTAL LOADING	400 kg
WHEEL DIAMETER	160 mm
NESTING DISTANCE	320 mm

### Trolley is available in the option:

- with the wire platform,
- with full platform ( platform of plywood, anti-slip, waterproof, double-sided foiled).

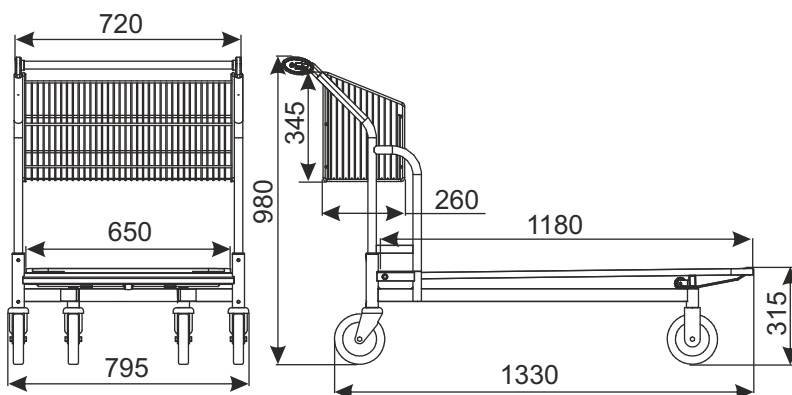
### Standard finish:

zinc plated, sides are additionally powder coated, what enriches the aesthetics of the trolley and composes with color scheme of the shop.

In the standard version shopping trolley has standard wheels. Optional accessories (inter alia wheels with brake, coin lock, logo and other accessories) require separate arrangements.



Clipboard A4 for Vario 120 (option)



PRODUCT NAME	FINISH	INDEX
Transport trolley Vario 120	zinc plated/powder coated	919-350-738
Clipboard A4 for Vario 120 (option)	stainless steel	919-380-698

### W3 TRANSPORT TROLLEYS